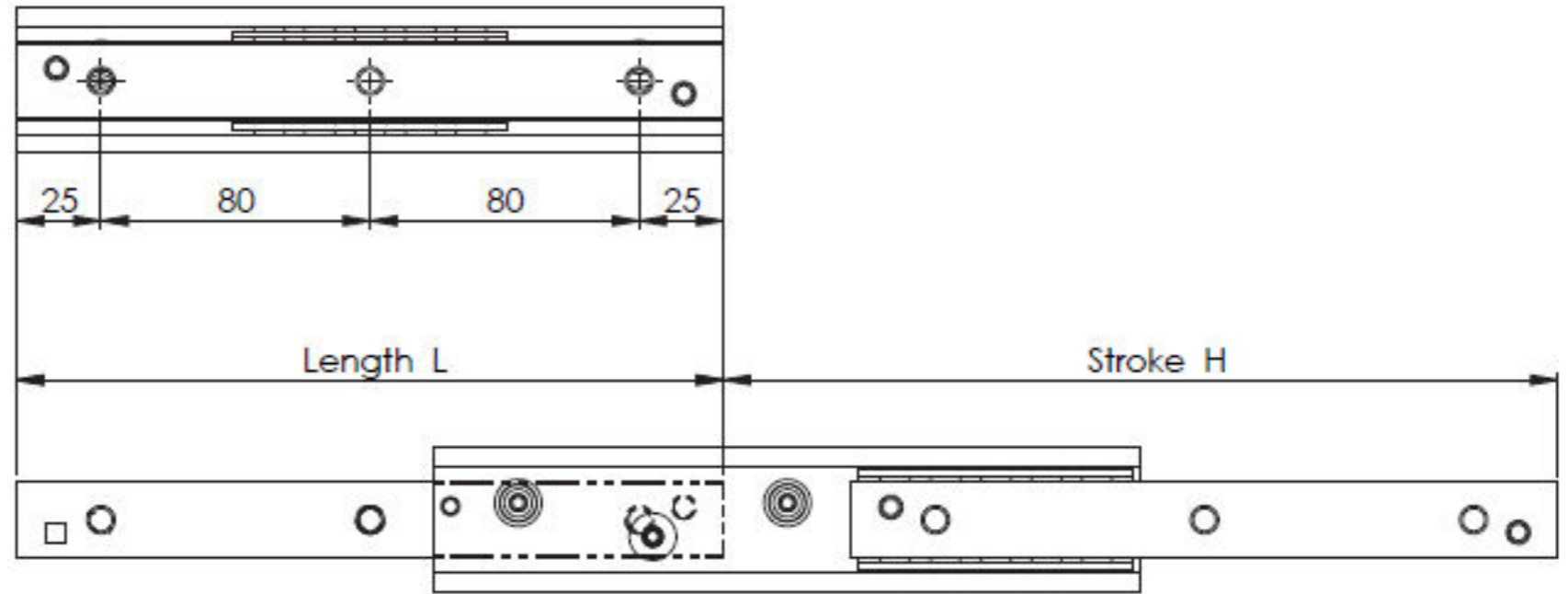


## DEF28 Series Telescopic Linear Guide

This is a fully telescopic product (as shown in drawing to the right). Outer rail is mounted to fixed structure. Inner rail is mounted to moving structure.

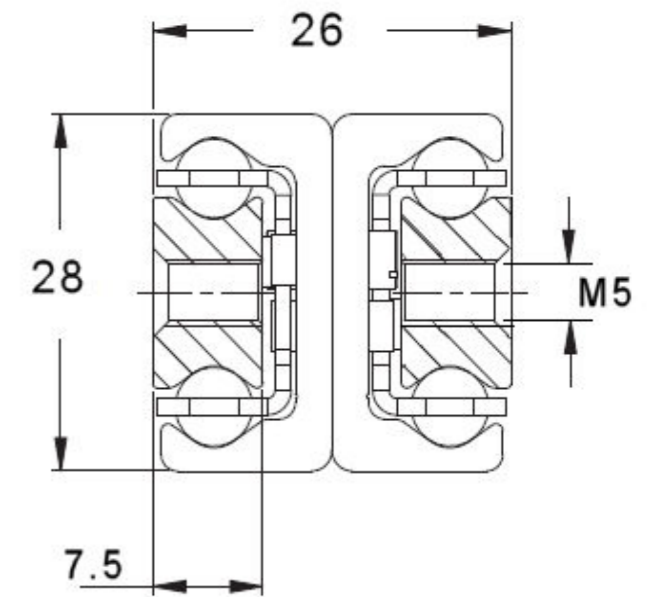
In operation the moving structure will freely move (stroke out) as shown.

**\*Load Capacities** are for a pair of rail units.



Part Number	Closed Length (mm)	Stroke Out (mm)	Static Rad. *Load Cap. (N)	Static Rad. *Load Cap. (lbf)	Number of bolt holes per rail	Net Wt. (lbf)
1 DEF28-130-148	130	148	470	106	2	1.2
2 DEF28-210-232	210	232	864	194	3	1.9
3 DEF28-290-296	290	296	1534	345	4	2.6
4 DEF28-370-380	370	380	1936	435	5	3.3
5 DEF28-450-464	450	464	2338	526	6	4
6 DEF28-530-548	530	548	2214	498	7	4.7
7 DEF28-610-633	610	633	1910	429	8	5.4
8 DEF28-690-717	690	717	1684	379	9	6.1
9 DEF28-770-801	770	801	1506	339	10	6.9
10 DEF28-850-866	850	866	1420	319	11	7.6
11 DEF28-930-950	930	950	1292	290	12	8.3
12 DEF28-1010-1034	1010	1034	1184	266	13	9
13 DEF28-1090-1118	1090	1118	1094	246	14	9.7
14 DEF28-1170-1202	1170	1202	1016	228	15	10.4

Unit: mm



Product End View